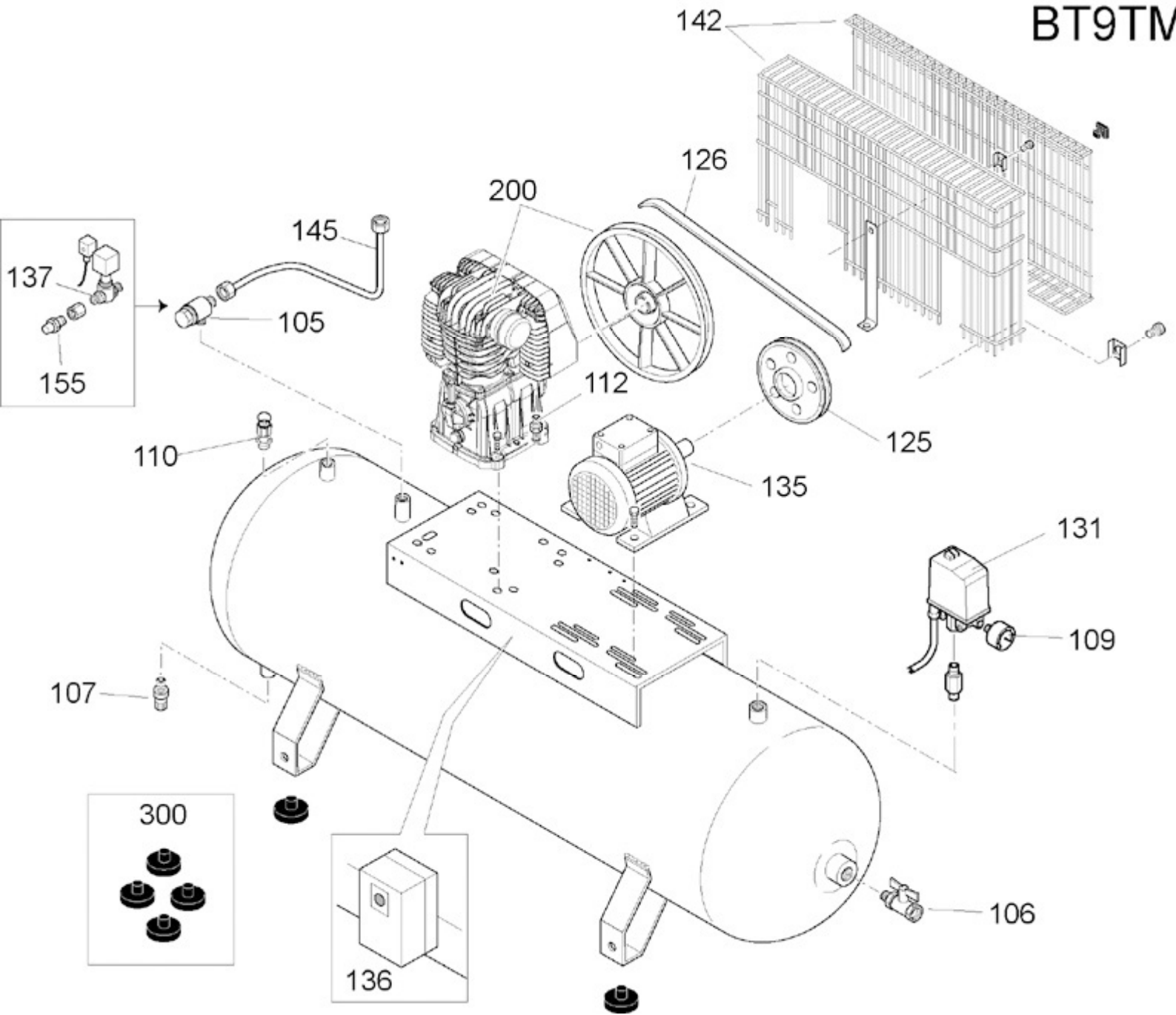


**BT9TM**



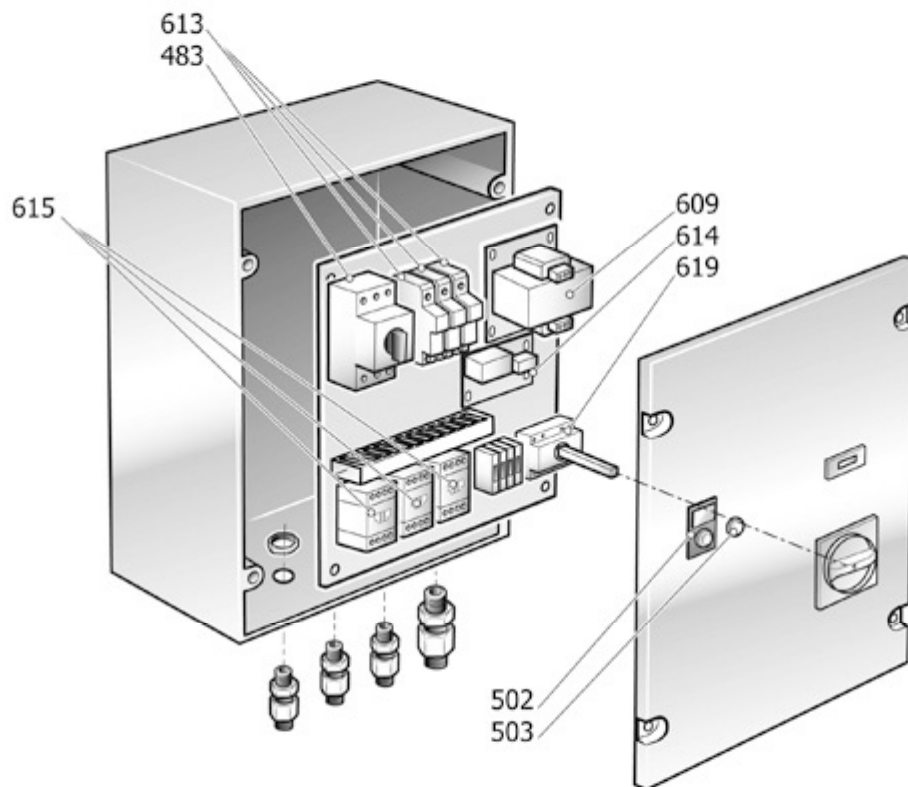


BTTN905KGK014

KOMPRESSOR 500/1000-15

| Pos | Component  | MU                          | Multiplier |
|-----|------------|-----------------------------|------------|
| 105 | 4101335    | CHECK VALVE                 | PZ 1,0     |
| 106 | 9047089    | LINE COCK                   | PZ 1,0     |
| 107 | 9047079    | CONDENSATE DRAIN COCK       | PZ 1,0     |
| 109 | 9052271    | PRESSURE GAUGE              | PZ 1,0     |
| 110 | 9049310    | RELIEF VALVE                | PZ 1,0     |
| 112 | 4101334    | NIPPLE/ELBOW                | PZ 1,0     |
| 125 | 9076625    | PULLEY                      | PZ 1,0     |
| 126 | 9075324    | POLY V BELT                 | PZ 1,0     |
| 131 | \$12800270 | COMPLETE PRESSURE SWITCH    | PZ 1,0     |
| 135 | 849T00A    | MOTOR                       | PZ 1,0     |
| 136 | 9062902    | MAGN. STARTER W/OVLD CUTOUT | PZ 1,0     |
| 137 | 9064462    | SOLENOID VALVE              | PZ 1,0     |
| 142 | 4101332    | BELT GUARD                  | PZ 1,0     |
| 145 | 9043476    | DELIVERY PIPE               | PZ 1,0     |
| 155 | 9050736    | SILENCER                    | PZ 1,0     |
| 176 | 9064139    | CONNECTOR                   | PZ 1,0     |
| 200 | BT0002A    | BARE PUMP                   | PZ 1,0     |
| 300 | 41K0174    | WHEELS/FEET MOUNTING KIT    | PZ 1,0     |

ESGSD

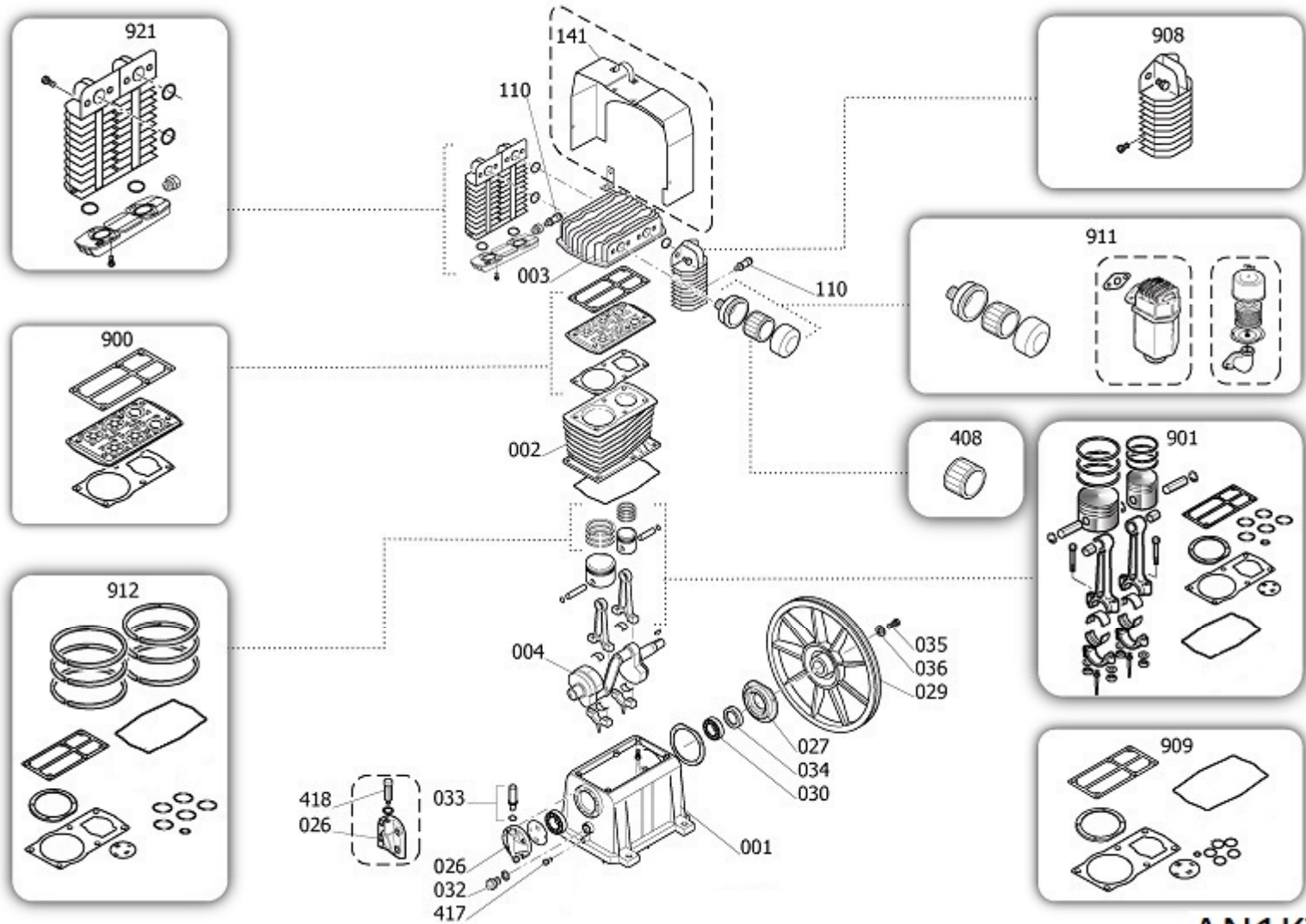




# AVV.SD 10HP 400

MAGN. STARTER W/OVLD CUTOUT

| Pos | Component    | MU                            | Multiplier |
|-----|--------------|-------------------------------|------------|
| 483 | E0M0304016   | THERMAL CUTOUT                | PZ 1,0     |
| 489 | E0M090002    | HOUR COUNTER                  | PZ 1,0     |
| 502 | EOP270KIT669 | SWITCH/SELECTOR               | PZ 1,0     |
| 613 | E0M11LEOAM1  | FUS.10X38-1A CH10             | PZ 2,0     |
| 613 | E0M11WEBGG04 | FUS.10X38-4A CH10             | PZ 1,0     |
| 614 | E0M095002    | TEMPORIZZATORE                | PZ 1,0     |
| 615 | E0M010310    | CONT.9A 24V NO AC3 LC1E0910B7 | PZ 1,0     |
| 615 | E0M010314    | CONT.9A 24V NC AC3 LC1E0901B7 | PZ 2,0     |
| 619 | E0M05042004  | MECHANICAL INTERLOCK          | PZ 1,0     |
| 625 | E0M14080424  | TRASF.80VA 0-230-400/0-24V    | PZ 1,0     |



AN1KT

| Pos | Component                         | MU | Multiplier |
|-----|-----------------------------------|----|------------|
| 1   | BT61100 CASING                    | PZ | 1,0        |
| 2   | #113190020SGL CYLINDER            | PZ | 1,0        |
| 3   | 4105773 HEAD                      | PZ | 1,0        |
| 4   | #113190004 SHAFT                  | PZ | 1,0        |
| 26  | #113141006 FRONT COVER            | PZ | 1,0        |
| 27  | #113190003 CASING REAR SUPPORT    | PZ | 1,0        |
| 30  | \$30302140 BALL BEARING 6206 C3   | PZ | 1,0        |
| 30  | 9170090 BEARING 6207              | PZ | 1,0        |
| 32  | #012031000 OIL LIGHT              | PZ | 1,0        |
| 33  | #212106000 OIL PLUG               | PZ | 1,0        |
| 34  | #010126000 SEAL                   | PZ | 1,0        |
| 35  | \$37304020 SCREW FLYWHEEL         | PZ | 1,0        |
| 35  | #114001043 SCREW FLYWHEEL         | PZ | 4,0        |
| 36  | #014005011 WASHER FLYWHEEL        | PZ | 1,0        |
| 110 | #047086000 RELIEF VALVE           | PZ | 1,0        |
| 110 | 9049184 RELIEF VALVE              | PZ | 1,0        |
| 141 | #113146018 CANALISATION           | PZ | 1,0        |
| 408 | 9434N06 MPK FLT.CARTRIDGE TS 10HP | PZ | 1,0        |
| 417 | \$36531140 OIL PLUG               | PZ | 1,0        |
| 900 | 9434A05 MPK VALVE PLATE TS 10HP   | PZ | 1,0        |
| 901 | 9434B07 MPK PISTON-CONROD TS 10HP | PZ | 1,0        |
| 908 | 9434E05 MPK AFTERCOOLER TS 10HP   | PZ | 1,0        |
| 909 | 9434F72 MPK GASKETS TS10 NW       | PZ | 1,0        |
| 911 | 9421132 AIR FILTER KIT            | PZ | 1,0        |
| 912 | 9434C07 MPK PISTON RINGS TS 10HP  | PZ | 1,0        |
| 921 | 9434D01 MPK INTERCOOLER TS 10HP   | PZ | 1,0        |